

REL-A Wall Mounting Steel Enclosures

Composition



REL-A Wall Mounting Steel Enclosures



ÜÖŠ-A wall mounting steel enclosures is made from sheet steel, designed to be assembled with various electrical components according to different control function requirements.

Construction

Material

- Body: 1.2mm sheet steel till size ÜÖŠ-A 8060/20 then 1.5mm
- Mounting plate: 1.5mm sheet steel till size ÜÖŠ-A 8060/20 then 2.0mm
- Door: 1.2mm sheet steel size ÜÖŠ-A 8060/20 then 1.5mm

Surface finish

- Body and door: Epoxy polyester powder coating textured finish
- Mounting plate: Epoxy polyester powder coating flat finish

Color

- Body and door: RAL7032 RAL7035
- Mounting plate: RAL 2000 OR galvanized steel
- Protection degree: IP 65
- Against mechanical impacts: IK10

Feature

Dust and Water proof :Using PU foam Sealing gasket inside to prevent dust and water

Door opening angle: 120°by plugging hinges(reinforcing profile is aviable height from 600mm)

4 hanging holes in the back of the enclosures, installed by the wall mounting brackets which need ordered separately

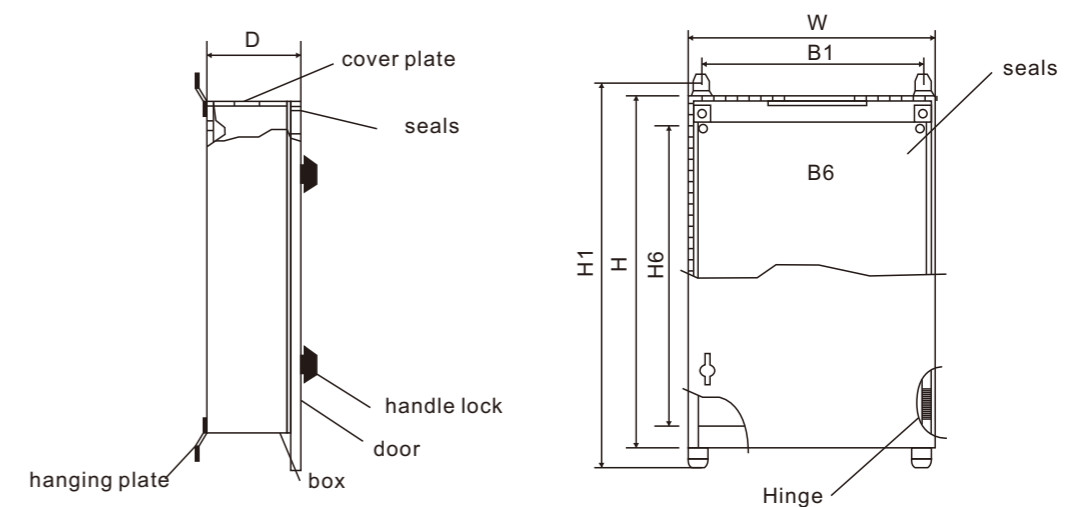
Supply

Enclosure and door

Mounting plate

Lock system

Gland plate, sealing gasket and fixing accessories



Dimension

Model	Size			Gland Plate Size	Mounting Plate Size		Model	Size			Gland Plate Size	Mounting Plate Size	
	H(mm)	W(mm)	D(mm)		L	M		H(mm)	W(mm)	D(mm)		L	M
ÜÖS-A 2020/15	200	200	150	A	150	150	XJBS-A 6060/30	600	600	300	E	550	450
ÜÖS-A 2520/15	250	200	150	A	200	150	XJBS-A 7050/15	700	500	150	C	650	450
ÜÖS-A 3020/15	300	200	150	A	250	150	XJBS-A 7050/20	700	500	200	D	650	450
REL-A 3025/15	300	250	150	B	250	200	XJBS-A 7060/20	700	600	200	E	650	550
REL-A 3025/20	300	250	200	B	250	200	XJBS-A 7060/25	700	600	250	E	650	550
REL-A 3030/15	300	300	150	B	250	250	XJBS-A 7060/30	700	600	300	E	650	550
REL-A 3030/20	300	300	200	B	250	250	XJBS-A 8060/20	800	600	200	E	750	550
REL-A 3030/25	300	300	250	B	250	250	XJBS-A 8060/25	800	600	250	E	750	550
REL-A 4030/15	400	300	150	C	350	250	XJBS-A 8060/30	800	600	300	E	750	550
REL-A 4030/20	400	300	200	C	350	250	XJBS-A 8080/20	800	800	200	F	750	750
ÜÖS-A 4030/25	400	300	250	C	350	250	XJBS-A 8080/25	800	800	250	F	750	750
ÜÖS-A 4030/30	400	300	300	C	350	250	XJBS-A 8080/30	800	800	300	F	750	750
ÜÖS-A 4040/15	400	400	150	C	350	350	XJBS-A 10060/20	1000	600	200	E	950	550
ÜÖS-A 4040/20	400	400	200	C	350	350	XJBS-A 10060/25	1000	600	250	E	950	550
ÜÖS-A 4040/25	400	400	250	C	350	350	XJBS-A 10060/30	1000	600	300	E	950	550
ÜÖS-A 4040/30	400	400	300	C	350	350	XJBS-A 10070/20	1000	700	200	E	950	650
ÜÖS-A 5030/15	500	300	150	C	450	250	XJBS-A 10080/20	1000	800	200	F	950	750
ÜÖS-A 5030/20	500	300	200	C	450	250	XJBS-A 10080/25	1000	800	250	F	950	750
ÜÖS-A 5030/25	500	300	250	C	450	250	XJBS-A 10080/30	1000	800	300	F	950	750
ÜÖS-A 5040/15	500	400	150	C	450	350	XJBS-A 10080/40	1000	800	400	F	950	750
ÜÖS-A 5040/20	500	400	200	D	450	350	XJBS-A 100100/25	1000	1000	250	G	950	950
ÜÖS-A 5040/25	500	400	250	D	450	350	XJBS-A 100100/30	1000	1000	300	G	950	950
ÜÖS-A 5040/30	500	400	300	D	450	350	XJBS-A 12060/20	1200	600	200	E	1150	550
ÜÖS-A 5050/20	500	500	200	D	450	450	XJBS-A 12060/25	1200	600	250	E	1150	550
ÜÖS-A 5050/25	500	500	250	D	450	450	XJBS-A 12060/30	1200	600	300	E	1150	550
ÜÖS-A 5050/30	500	500	300	D	450	450	XJBS-A 12080/20	1200	800	200	F	1150	750
ÜÖS-A 6040/15	600	400	150	D	550	350	XJBS-A 12080/25	1200	800	250	F	1150	750
ÜÖS-A 6040/20	600	400	200	D	550	350	XJBS-A 12080/30	1200	800	300	F	1150	750
ÜÖS-A 6040/25	600	400	250	D	550	350	XJBS-A 12080/40	1200	800	400	F	1150	750
ÜÖS-A 6040/30	600	400	300	D	550	350	XJBS-A 120100/25	1200	1000	250	G	1150	950
ÜÖS-A 6050/15	600	500	150	C	550	450	XJBS-A 120100/30	1200	1000	300	G	1150	950
REL-A 6050/20	600	500	200	D	550	450	XJBS-A 120100/40	1200	1000	400	G	1150	950
REL-A 6050/25	600	500	250	D	550	450	XJBS-A 14060/30	1400	600	300	E	1350	550
REL-A 6050/30	600	500	300	D	550	450	XJBS-A 14080/30	1400	800	300	F	1350	750
REL-A 6060/15	600	600	150	C	550	550	XJBS-A 14080/40	1400	800	400	F	1350	750
REL-A 6060/20	600	600	200	E	550	550	XJBS-A 140100/30	1400	1000	300	G	1350	950
REL-A 6060/25	600	600	250	E	550	550	XJBS-A 140120/30	1400	1200	300	G	1350	1150

